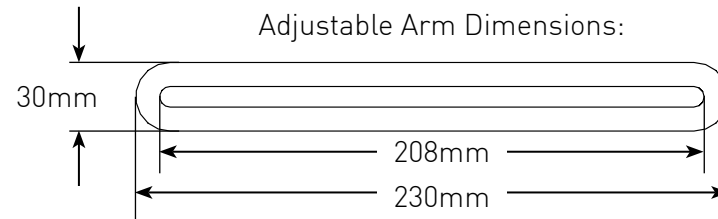
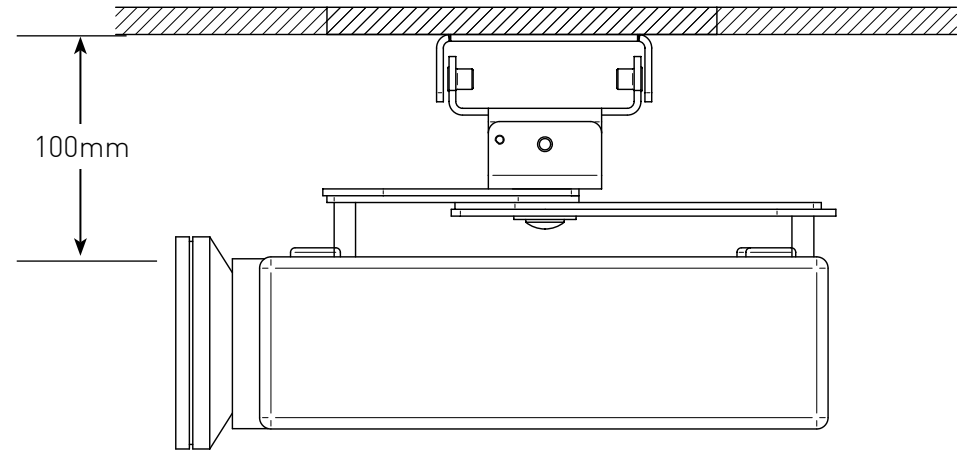
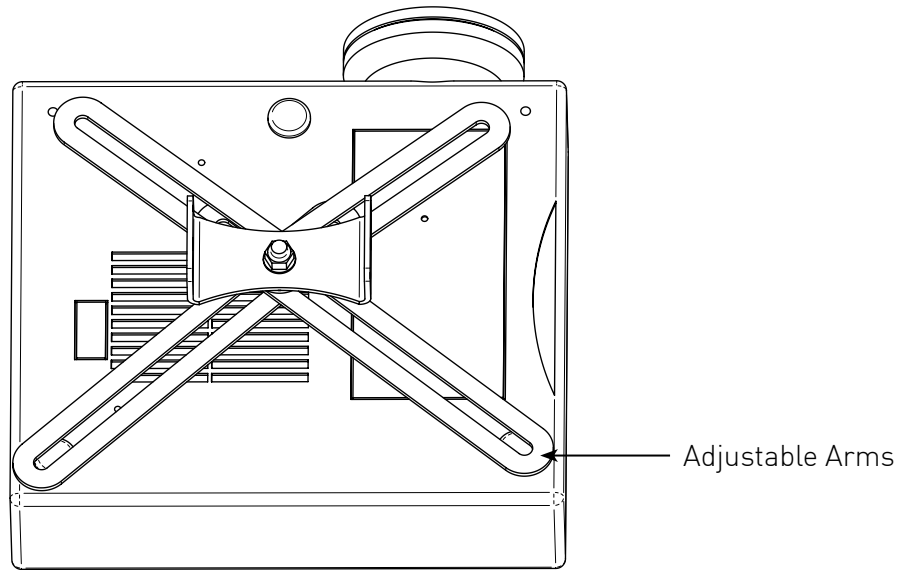
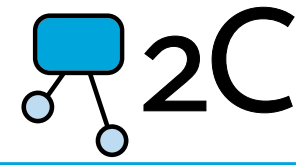


# Specifications for 2C Hang IT



Product Code	Colour	Max Projector Weight	Shipping Size
2C101	Black	12kg	200 x 150 x 65mm
2C102	White	12kg	200 x 150 x 65mm

## Features:

- Suits most based-mounted projectors.
- M3, M4, M5 and M6 mounting bolts and spacers provided.
- Can carry up to 12kg projector weight.
- Independently lockable yaw, tilt and pan adjustments.
- Extension pole available - "Extend IT" 2C110 or 2C111.